

Charge Displacements in Interfacial Layers Containing Reaction Centers

P. Brzezinski¹, A. Messinger^{2,5}, Y. Blatt³, A. Gopher⁴, D. Kleinfeld⁵

¹Department of Biochemistry and Biophysics, Göteborg University and Chalmers University of Technology (Medicinaregatan 9C), P.O. Box 462, SE-405 30 Göteborg, Sweden

²Salk Institute for Biological Studies, 10010 North Torrey Pines Road, La Jolla, CA 92037-1099, USA

³Bio Dar Ltd., Yavne Technology Park, Building 10, P.O. Box 344, Yavne 81103, Israel

⁴Institute of Pharmacology and Toxicology, Sheba Medical Center, Tel Hashomer, Israel

⁵Department of Physics, University of California, 9500 Gilman Drive, La Jolla, CA 92093-0319, USA

Received: 1 July 1997/Revised: 23 June 1998

Abstract. Reaction centers from the photosynthetic bacterium *Rhodobacter sphaeroides* were oriented in phospholipid interfacial layers adsorbed to a Teflon film separating two electrolyte-filled compartments of a Teflon cell. Light-induced voltage changes were measured as a function of time across electrodes immersed in the cell compartments. The experimental system is characterized both experimentally and theoretically to relate the measured signals to the light-induced displacement currents in the reaction centers. Mathematical relations between the measured signals and the distances and geometries of the charge-transfer reactions are derived. At pH 8.0 the reaction centers were found to be oriented with ~60% of the population oriented with the donor facing the aqueous phase. The density of the reaction centers in the layer was $\sim 10^{11} \text{ cm}^{-2}$, which is close to that found in the native system. Reconstitution of the secondary quinone, Q_B , in 90% of the RCs was achieved with an ~100-fold excess of ubiquinone in the vesicle preparation.

Key words: Bacterial photosynthesis — Electrogenic event — Charge transfer — Electron transfer — Monolayer

Introduction

Reaction centers (RCs) from photosynthetic bacteria convert light energy into electrochemical energy. The

RCs are membrane-bound protein complexes that accommodate a number of cofactors associated with the conversion process. In *Rhodobacter sphaeroides* RCs there are four bacteriochlorophylls, two bacteriopheophytins, one nonheme iron (Fe^{2+}) and two ubiquinones [reviewed by Feher et al., 1989].

The energy conversion is initiated by a light-induced charge separation in which a photon excites a bacteriochlorophyll dimer (P). Following the excitation an electron is transferred sequentially from P , via an intermediate phoephytin, to the primary and secondary quinone acceptors Q_A and Q_B , stabilizing the charge-separated state for progressively longer times. The oxidized donor is rereduced by a water-soluble cytochrome, cyt. c_2 . After a second charge separation, Q_B becomes doubly reduced and binds two protons from the cytoplasmic side of the membrane [reviewed in Crofts & Wraight, 1983]. The dihydroquinone dissociates from the RC and is replaced by an unprotonated quinone from the quinone pool in the membrane (Diner et al., 1984; McPherson, Okamura & Feher, 1990). In intact bacterial photosynthetic membranes the reoxidation of $Q_B H_2$ is coupled to the release of protons to the periplasmic side of the membrane.

Since the membrane-bound RC is an insulating medium, the motion of charges with components perpendicular to the membrane surface is associated with displacement currents and voltage changes, collectively defined as electrogenic events. The electrogenic events associated with some reactions that involve charge transfer have been previously studied monitoring the carotenoid band shifts in chromatophores (Witt, 1971; Jackson & Dutton, 1973) and by direct electrical measure-

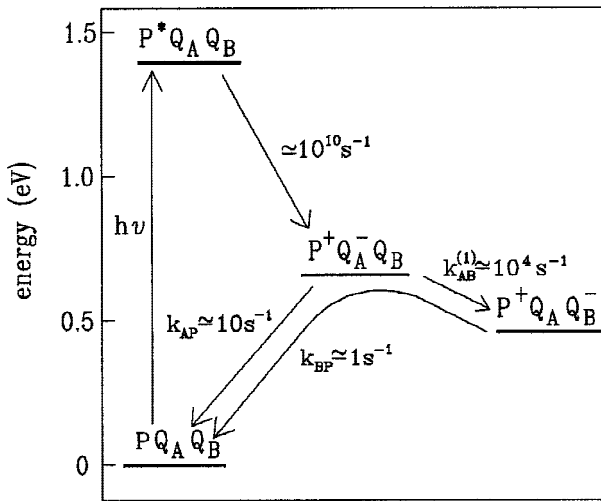


Fig. 1. Electron-transfer reactions in the RCs of *R. sphaeroides*. Following the absorption of a photon, an electron is transferred from the excited donor P^* , via an intermediate pheophytin acceptor (omitted for simplicity), to Q_A and then to Q_B . Transfer rates are given for room temperature and rounded to the nearest power of 10. Charge recombination from Q_B^- to the oxidized donor, P^+ , proceeds via the intermediate state $P^+Q_A^-Q_B$.

ments of RCs in artificially constructed lipid layers (Schönfeld, Montal & Feher, 1979; Packham et al., 1980, 1982; Tiede, Mueller & Dutton, 1982; Trissl, 1983; Apell, Snozzi & Bachofen, 1983; Gopher et al., 1985; Feher, Arno & Okamura, 1988; Höök & Brzezinski, 1994; Brzezinski et al., 1997) and colloidal films (Drachev et al., 1976; Dracheva et al., 1988).

In the present study we measured the voltages and currents evoked upon illumination of RCs oriented in a phospholipid interfacial layer adsorbed to a Teflon film, a technique that was pioneered to study rhodopsin (Trissl, Darszon & Montal, 1977) and bacteriorhodopsin (Trissl & Montal, 1977; Hong & Montal, 1979). These direct electrical measurements have the advantage of being sensitive not only to electron transfer but also to processes not generally associated with spectral changes, such as structural changes involving charge motion (Brzezinski et al., 1992) and proton transfer in the RCs (Brzezinski et al., 1991, 1997). The Teflon-supported interfacial layer provides a simple, robust (compared to planar bilayers) and well-defined experimental system. In this paper we describe the electrogenic measurement technique and characterize the system of RCs in a phospholipid interfacial layer using the electrogenic events associated with the charge separation and recombination reactions between the primary donor P and the quinones Q_A and Q_B (see Fig. 1). Characterization of the system makes it possible to quantitatively analyze various electrogenic events such as electron transfer, proton uptake and conformational changes.

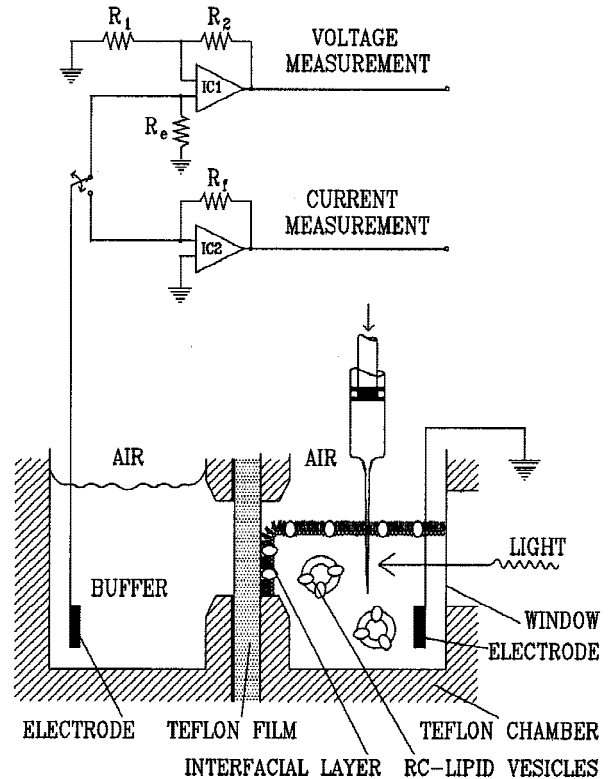


Fig. 2. Schematic representation of the experimental setup. The chamber consists of two compartments, separated by a Teflon film (6 μm thick). The interfacial layer was formed by raising the level of the vesicle solution in the right-hand side compartment until the exposed Teflon film was completely covered. The interfacial layer was illuminated through a glass window. One of the electrodes was connected to the input of the operational amplifier (IC1 or IC2) and the other electrode was grounded. The electrodes were shielded from the incident light. The values of the resistors are: $R_1 = 4 \text{ k}\Omega$, $R_2 = 40 \text{ k}\Omega$, $R_e = 10^8 - 10^{12} \Omega$, $R_f = 10^9 \Omega$. The figure is not to scale.

Materials and Methods

REACTANTS

RCs from *Rhodobacter sphaeroides* R-26 were purified as described (Feher & Okamura, 1978) with lauryl dimethylamine N-oxide (LDAO, Onyx Chem, NJ) as a solubilizing detergent. RCs with only one quinone, i.e., Q_A , were prepared using the method of Okamura, Isaacson & Feher (1975). Cytochrome c (horse heart type VI, Sigma, MO) was more than 95% reduced with hydrogen gas, using platinum black (Aldrich, WI) as a catalyst (Rosen & Pecht, 1976). Soybean lecithin (Sigma, Type IIS, MO) was washed as described (Kagawa & Racker, 1971).

THE EXPERIMENTAL SETUP

The experimental setup is shown in Fig. 2. The chamber was made of black Teflon (Fluorocarbon, CA). It consists of two compartments separated by a 6.3 μm thick Teflon film (Saunders, CA). The area of the Teflon film was 0.3 cm^2 . The measured signals were found to be

more reproducible if the Teflon film was coated with a hydrophobic agent on the side to receive the layer. We used 6 μl of a 1% hexadecane solution in heptane. Excess of the solution was evaporated by an intense flow of air.

PREPARATION OF THE LIPID VESICLES

Lipid vesicles containing RCs were prepared as described earlier (Gopher et al., 1985) by suspending 10 mg of lipids in 1 ml of buffer composed (in mM) of: 10 KCl, 2.5 sodium citrate, 2.5 PIPES, 2.5 HEPPS, 2.5 CHES and 2.5 CAPS at pH 8.0¹. To prepare RCs with two quinones per RC, phospholipid and ubiquinone (UQ₁₀, Sigma, MO) were dried together from a hexane solution prior to dispersion in the above solution. A quinone-to-RC ratio of 100:1 gave at least 90% of RCs with an active Q_B. The above solution was supplemented with 5 nmole of RCs ($\leq 50 \mu\text{l}$) in 0.025% LDAO and sonicated for ~ 10 min at $22 \pm 2^\circ\text{C}$ until the solution was optically clear as evidenced from the 650 nm absorbance.

PREPARATION OF THE RC-LIPID INTERFACIAL LAYER

The vesicle solution was diluted to a final concentration of 1 mg lipid/ml in the buffer above, supplemented with 10 mM CaCl₂ and 200 mM KCl. The solution was added to one of the compartments of the cell up to a level below that of the Teflon film. The liquid level in the compartment was raised slowly, allowing the monolayer formed at the surface to adhere to the Teflon (Fig. 2). The opposing cell compartment was filled with an aqueous salt solution (~ 200 mM KCl).

LIGHT SOURCES

Pulsed illumination of the RC-lipid interfacial layer was provided by a flashlamp-pumped dye laser (Phase R, Model DL 1200V, NH) using the dye Rhodamine (Phase R, NH), which had a maximal output energy at 590 nm. The pulse had an energy of ~ 100 mJ and a width of $\sim 0.4 \mu\text{sec}$. Continuous illumination was provided by a tungsten lamp (maximum 1 W cm^{-2}) filtered through 2 cm of water. The duration of the illumination was varied using a shutter (Uniblitz, Vincent, NY) with a time constant of ~ 1 msec.

ELECTRICAL MEASUREMENTS

Measurements were carried out in a way similar to that described (Schönfeld et al., 1979; Feher et al., 1988). The light-induced voltage or current was detected using Calomel (Ingold Electrodes, MA) or Ag/AgCl electrodes, shielded from actinic light. Voltage changes were measured using an operational amplifier (IC1 in Fig. 2, Burr-Brown OP128) connected as a voltage follower with a shunt resistance, R_e (Fig. 2). The shunt resistor prevented current, leaking from the amplifier, from charging the Teflon film.

Currents were measured with an operational amplifier (IC2 in Fig. 2, Burr-Brown OP121) connected as a current to voltage converter with a feedback resistor of $10^9 \Omega$ (R_f in Fig. 2). The output signals were filtered electronically and averaged using a transient recorder

(Nicolet, model 1180, Madison, WI). Capacitance was measured with a capacitance bridge (Electro Scientific Industries, model 7073, Portland, OR).

ANALYSIS

Signals were averaged and fitted with exponential functions using a nonlinear least square procedure (PeakFit, Jandel, San Rafael, CA). The standard deviation of the results obtained on the same interfacial layer was considerably smaller (5% for kinetics and 6% for amplitudes) than that obtained from different interfacial layers prepared under similar conditions (9% for kinetics and 20% for amplitudes). The error reported hereafter is the standard deviation of the mean; typically 8–10 interfacial layers were prepared. The charge recombination reactions $P^+Q_A^- \rightarrow PQ_A$ and $P^+Q_AQ_B^- \rightarrow PQ_AQ_B$ (Fig. 1) were identified by comparing the time constants of the exponentially decaying currents to those obtained from optical measurements on RCs in detergent solutions (Okamura et al., 1982) and in vesicle solutions.

ABBREVIATIONS AND SYMBOLS

CAPS, 3-(cyclohexylamino) propanesulfonic acid; CHES, 2-(cyclohexylaminoethanesulfonic acid); HEPPS, 4-(2-hydroxyethyl)-1-piperazinepropanesulphonic acid; PIPES, 1,4-piperazinediethanesulphonic acid; RC, reaction center; P, bacteriochlorophyll dimer; Q_A, Q_B, ubiquinones.

D_T , D_L , thickness, C_T , C_L capacitance, A_T , A_L area, ϵ_T , ϵ_L dielectric constant of the Teflon film and of the lipid layer, respectively; τ_1 , τ_2 , electric relaxation time constants; $v_{jk}(t)$, $i_{jk}(t)$, voltage across and current through the interfacial layer associated with a charge transfer from a donor j to an acceptor k ; $V_{jk}(t)$, $I_{jk}(t)$, measured voltage and current associated with the same charge transfer; q_{jk} , charge transferred per RC from a donor j to an acceptor k ; d_{jk} , distance traveled by charges in a reaction in which j is the donor and k is the acceptor; ϵ_{jk} , dielectric constant between j and k ; Θ , effective orientation of the RCs in the interfacial layer; N_S , N_T , number of RCs in the S population (P faces the aqueous solution) and T population (P faces the Teflon film); σ , population density of the RCs in the interfacial layer; α_{jk} , dielectric coefficient (Läuger, 1991), which defines the fractional, dielectrically weighted distance traveled by the charge.

Theoretical Models

THE EQUIVALENT ELECTRICAL CIRCUIT

To establish the electrical characteristics of the experimental system (Fig. 3A) we modeled it with an equivalent electrical circuit (Fig. 3B). The light-induced RC-generated current is represented by the current generator output, $i(t)$. Because the RC is a transmembrane protein, the current generator is in parallel with the resistance R_L and capacitance C_L of the lipid layer. The capacitance of the Teflon film, C_T , is in series with R_L and C_L . The measured current, $I(t)$, is the ac-coupled current through the Teflon film when the external resistance R_e is zero. The measured voltage, $V(t)$, is the potential produced across the external resistance R_e by the ac-coupled through the Teflon film. The series resistance of the

¹ The buffer composition made it possible to use the same buffer conditions in the pH range 4–11.

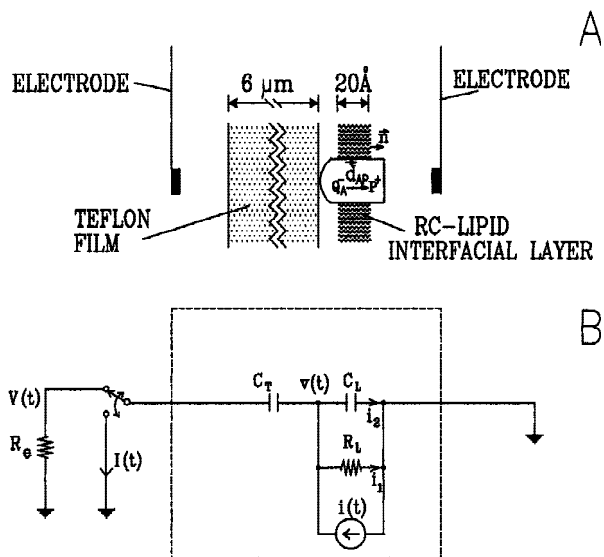


Fig. 3. (A) Schematic representation of the structure of the RC-lipid interfacial layer adsorbed on the Teflon film. A one-quinone RC from the *S* population (donor facing the aqueous solution) in the charge separated state $P^+Q_A^-$ is shown in the interfacial layer. \vec{d}_{AP} is the distance vector from Q_A to P . The unit vector perpendicular to the interfacial layer, \hat{n} , is shown. The interfacial layer is assumed to have an average thickness of $\sim 20 \text{ \AA}$. However, it is likely that in the vicinity of each RC, which is 75 \AA long, a bilayer is maintained. (B) Equivalent electrical circuit of the experimental system. The portion within the dashed line models the RC-lipid interfacial layer adsorbed on the Teflon film. The light-induced current produced by the RCs is modeled by the output of the current generator, $i(t)$. R_L is the resistance and C_L the capacitance of the interfacial layer. $I(t)$ is the capacitively-coupled current through the Teflon film capacitor ($C_T \cong 95 \text{ pF}$). The measured voltage, $V(t)$, is the potential across the external resistance, R_e , due to the current $I(t)$. R_e was adjusted to make the charging time $\tau_2 = R_e C_T$ of the Teflon film capacitor long compared to the electrogenic event. For current measurements R_e is assumed to be 0 \Omega , and the measured current, $I(t)$, is assumed to flow to a virtual ground. In reality, the finite resistance of the solution and amplifier will limit the time resolution of the current measurement. However, the response time of the experimental setup was $\ll 1 \text{ \musec}$, and therefore this resistance is not relevant for the present studies. The equivalent circuit treats the resistance of the Teflon film as infinite and that of the buffer solution and the electrodes as zero.

buffer in each compartment was not included in the equivalent circuit because its resistance is so small (30 \Omega) that the voltage drop across it is negligible compared to the voltage across the interfacial layer.

An alternate equivalent circuit has been discussed in the literature in which the signal generator is ac-coupled to the output through a "chemical capacitance" (Hong, 1980; Trissl, 1981; Okajima & Hong, 1986). The equivalent circuit in Fig. 3B models the measured signal without the need of a chemical capacitance because the RC-generated current, $i(t)$, is already ac-coupled to the output through the Teflon-film capacitor (Fahr, Lauger & Bamberg, 1981; Rayfield, 1982).

THE CAPACITANCE OF THE TEFLON FILM AND OF THE INTERFACIAL LAYER

The measured capacitance of the Teflon film was 95 pF . This value is consistent with the calculated capacitance (90 pF) for a parallel plate capacitor with an area of 0.30 cm^2 and a thickness of 6.3 \mu m , using a dielectric constant of 2.1 relative to vacuum for Teflon (Westman, 1956). The capacitance per unit area of an $\sim 40 \text{ \AA}$ thick soybean lecithin bilayer is 0.75 \mu F/cm^2 (Nelson et al., 1980) and is essentially unchanged when RCs are incorporated into the bilayer (Gopher et al., 1985). Assuming that the interfacial layer is half as thick as the bilayer, the capacitance per unit area of the interfacial layer should be 1.5 \mu F/cm^2 . The interfacial layer in the sample cell then has $C_L = 0.45 \text{ \mu F}$, which is much larger than C_T . Consequently, the capacitance of the interfacial layer, which is in series with C_T , could not be measured electrically. Note that we here assume that the average monolayer thickness is $\sim 20 \text{ \AA}$. However, it is likely in the immediate vicinity of each RC a bilayer is formed, which covers the hydrophobic part of the RCs (see also legend to Fig. 3).

THE ELECTRICAL TIME CONSTANTS

The measured voltage and current, $V(t)$ and $I(t)$, are determined by the electrogenic events occurring in the RC (as described by $i(t)$) and the electrical relaxation processes of the electrical circuit (i.e., charge motion outside of the RC). To reliably determine the kinetics of the electrogenic reactions, their time constants must be small compared to the time constants of the electrical circuit.

The electrical time constants were derived from an analysis of the equivalent electrical circuit (Fig. 3B and Appendix A). For $C_L \gg C_T$, the two electrical time constants in the voltage mode are approximately:

$$\tau_1 \cong R_L C_L \quad \tau_2 \cong R_e C_T \quad (1)$$

where τ_1 is the time constant for the voltage across the interfacial layer, $v(t)$, to discharge due to leakage of ions through the interfacial layer. The time constant τ_2 is associated with the charging of the capacitor C_T . Initially, C_T is uncharged and $V(t) = v(t)$. As C_T charges, the voltage across it increases with a concomitant decrease in $V(t)$ with time constant τ_2 .

When making current measurements, $R_e = 0$ and the amplifier input is virtually grounded (Figs. 2 and 3B). Consequently, $v(t)$ is equal to the voltage across C_T alone and there is only a single electrical time constant which, for $C_L \gg C_T$, is τ_1 .

THE RELATION BETWEEN THE MEASURED SIGNALS AND A CHARGE TRANSFER SPANNING THE INTERFACIAL LAYER

From the equivalent electrical circuit (Fig. 3B), the measured voltage, $V(t)$, equals the voltage across the inter-

facial layer, $v(t)$, minus the voltage across C_T . For $t \ll \tau_2$, C_T is essentially uncharged and the measured voltage, $V(t)$, equals $v(t)$. For current measurements, $R_e = 0$, hence $v(t)$ is equal to the voltage across C_T . Therefore, the measured voltage, $V(t)$, and the measured current, $I(t)$, are related by:

$$V(t) \equiv v(t) \equiv \frac{1}{C_T} \int_0^t I(t') dt' \quad (2)$$

where the time integral of $I(t)$ gives the charge on C_T at time t .

For $C_L \gg C_T$ and $t \ll \tau_1$, the RC -generated current, $i(t)$, flows almost exclusively through C_L (i.e., $i(t) \equiv i_2(t)$). Therefore, the voltage generated across the interfacial layer,

$$v(t) \equiv \frac{1}{C_L} \int_0^t i(t') dt' \quad (3)$$

is equal to the charge transferred across the interfacial layer up to time t (i.e., the time integral of the displacement current) divided by C_L . Equations 2 and 3 show that the measured current, $I(t)$, is given by (Fahr et al., 1981; see also Lauger, 1991),

$$I(t) \equiv \frac{C_T}{C_L} i(t). \quad (4)$$

THE RELATION BETWEEN THE MEASURED SIGNALS AND A CHARGE TRANSFER WITHIN THE INTERFACIAL LAYER

The RC -generated current in the equivalent electrical circuit (Fig. 3B) flows through the entire interfacial layer, as represented by C_L and R_L . But the transfer of charge within the RC from a donor j to an acceptor k generates a current, $i_{jk}(t)$, which flows through only part of the interfacial layer. For this case, the voltage, $v_{jk}(t)$, generated across the interfacial layer by $i_{jk}(t)$ is found by replacing C_L in Eq. 3 with the capacitance between sites j and k (Fahr et al., 1981). This capacitance is equal to C_L times the dielectrically weighted ratio of the thickness of the interfacial layer to the distance between sites j and k . If all the donor and acceptor sites lie within a slab of dielectric constant ϵ_{jk} which is interior and parallel to the planar faces of the interfacial layer then, for $C_L \gg C_T$ and $t \ll \tau_1$,

$$v_{jk}(t) = \frac{1}{C_L} \alpha_{jk} \int_0^t i_{jk}(t') dt' \quad \text{with} \quad \alpha_{jk} \equiv \frac{\epsilon_L}{\epsilon_{jk}} \frac{\vec{d}_{jk} \cdot \hat{n}}{D_L} \quad (5)$$

where ϵ_L is the average dielectric constant of the interfacial layer, D_L is the average thickness of the layer

around the RC s, \vec{d}_{jk} the distance vector from j to k , and \hat{n} is a unit vector perpendicular to the layer (Fig. 3A). The constant α_{jk} is a dielectric coefficient (Lauger, 1991), which defines the fractional, dielectrically weighted distance traveled by the charge.

Note that the voltage generated is proportional to the induced dipole moment (i.e., charge transferred times the distance vector between j and k) and inversely proportional to the dielectric constant between j and k . Equation 5 has appeared previously without an exact proof (Lauger et al., 1981) and is derived in Appendix B. Because of the simplicity of the plane parallel model of the interfacial layer, Eq. 5 should be taken only as a semi-quantitative approximation.

For charge transfer within the RC , C_T in Eq. 2 should, in principle, be replaced by the capacitance of the Teflon film and the portion of the interfacial layer not spanned by the charges (Fahr et al., 1981). For $C_L \gg C_T$, this capacitance is negligibly different from C_T so Eq. 2 still applies. The relative size of the measured and RC -generated current for a dipole-forming charge transfer within the RC is obtained by combining Eqs. 2 and 5:

$$I_{jk}(t) = \frac{C_T}{C_L} \alpha_{jk} i_{jk}(t) \quad (6)$$

We have assumed in this section that the electrical relaxation processes can be neglected (i.e., $t \ll \tau_1$ and τ_2). Under these conditions, the measured signals $V(t)$ and $I(t)$ have the same kinetics as the RC -generated current. In Appendix A, the measured signals are related to an exponentially decaying RC -generated current, taking into account the effects of the electrical relaxation processes.

At time, t_{max} , long compared to the time constant of the electrogenic process (τ_0 in Appendix A) but short compared to the electrical time constants τ_1 and τ_2 , one obtains from Eqs. 2 and 6, the maximum measured voltage change,

$$\Delta V_{jk}(t) \equiv \Delta v_{jk}(t) = \frac{Nq_{jk}}{C_L} \alpha_{jk} \quad (7)$$

and the maximum integral of the measured current,

$$\int_0^{t_{max}} I_{jk}(t) dt \equiv \frac{C_T}{C_L} Nq_{jk} \alpha_{jk} \quad (8)$$

THE EFFECTIVE ORIENTATION OF THE RC S IN THE INTERFACIAL LAYER

The RC s in the interfacial layer are composed of two populations. In one population the donors face the aqueous solution (the S population, see Fig. 3A) and in the

other the donors face the Teflon film (the T population). A charge transfer in one population produces a signal with the opposite sign as the signal produced by the same charge transfer in the other population. The observed net signal originates from processes occurring in both populations simultaneously. The experimental observation of a net signal indicates that the S and T populations do not contribute equally.

The asymmetry in the contributions from the S and T populations may be due to differences in the electrical properties of the two populations, differences in the number of RC s in the two populations, or differences in the reactions that occur in the two populations. We define the effective orientation,

$$\Theta \cong \frac{w_S N_S - w_T N_T}{w_S N_S + w_T N_T} \quad (9)$$

where N_S and N_T are the number of RC s in the S and T populations, respectively, and w_S and w_T are weighting factors that account for other possible differences in the properties of the S and T populations, respectively. For example, RC s in the S population may be exposed to a different environment and/or may be electrostatically shielded differently than RC s in the T population. For simplicity we assume that the effective orientation observed is due solely to a difference in the number of RC s in each population, i.e., $N_S \neq N_T$ and $w_S = w_T$.

To measure the effective orientation we compare the signals from both the S and T populations to that from only the T population. Both signals are observed with one-quinone RC s. When the interfacial layer is illuminated a transient current due to the charge separation $PQ_A \rightarrow P^+Q_A^-$ is observed. When the illumination ceases, a transient current of opposite sign due to the charge recombination $P^+Q_A^- \rightarrow PQ_A$ is observed.

Using Eq. 8, the time integral of the measured current, $I_{AP}(t)$, associated with charge recombination² is related to the net charge transferred in the RC s during charge recombination (i.e., the time integral of the RC -generated current):

$$\int_0^{t_{\max}} I_{AP}(t) dt \cong \frac{C_T}{C_L} (N_S - N_T) q_{AP} |\alpha_{AP}| \quad (10)$$

where α_{AP} is the dielectric coefficient between Q_A and P . Because the charges are displaced in opposite directions in the two populations, the net charge transferred is equal to the difference in the number of RC s in the two popu-

lations times q_{AP} , the charge transferred between Q_A and P in each RC (one electron charge).

To observe only the T population, cytochrome c^{2+} was added to the aqueous solution on the interfacial layer side. Cytochrome c binds to the RC surface near the donor. Cytochrome c was found not to penetrate the interfacial layer so that the donor was only accessible in the S population. Thus, following the first illumination cytochrome reduced the oxidized donor P^+ in the S population only, forming the inactive PQ_A^- state. Consequently, upon cessation of the illumination only the T population recombined to the initial PQ_A state, whereas the S population remained in the photochemically inactive state PQ_A^- on the time scale of the measurements. Following a *second* illumination, charge separation and recombination took place only in the T population. Consequently, the time integral of the measured current, $I_{AP}(t)$, due to charge recombination in the presence of cytochrome c^{2+} is given by,

$$\int_0^{t_{\max}} I_{AP}^c(t) dt \cong \frac{C_T}{C_L} (-N_T) q_{AP} \quad (11)$$

which is proportional to the size of the T population.

Equations 9 (with $w_S = w_T$), 10 and 11 combine to give the effective orientation:

$$\Theta = \frac{N_S - N_T}{N_S + N_T} = \frac{N_S - N_T}{(N_S - N_T) + 2N_T} = \frac{\int_0^{t_{\max}} I_{AP}(t) dt}{\int_0^{t_{\max}} I_{AP}(t) dt - 2 \int_0^{t_{\max}} I_{AP}^c(t) dt} \quad (12)$$

The currents, $I_{AP}(t)$ and $I_{AP}^c(t)$, associated with charge recombination $P^+Q_A^- \rightarrow PQ_A$ have an exponential time dependence and decay with the same time constant³, τ_{AP} . Consequently, $\int_0^{t_{\max}} I_{AP}(t) dt = I_{AP}(0)\tau_{AP}$ and $\int_0^{t_{\max}} I_{AP}^c(t) dt = I_{AP}^c(0)\tau_{AP}$ and the above ratio of integrals can be expressed in terms of a ratio of currents at $t = 0$:

$$\Theta = \frac{I_{AP}(0)}{I_{AP}(0) - 2I_{AP}^c(0)} \quad (13)$$

Note that the effective orientation, Θ , is determined solely from observed quantities and does not explicitly depend on C_L , C_T , ϵ_L , ϵ_T , \vec{d}_{AP} or q_{AP} .

² The integrals of the charge separation and recombination currents are the same since charge is conserved. We discuss the charge recombination here as this process is slower which makes the integral easier to determine precisely.

³ It is assumed that the charge-recombination time constant $P^+Q_A^- \rightarrow PQ_A$ is the same in both the T and S populations. This assumption is based on results from studies which show that this time constant is essentially insensitive to the reaction-center environment (see e.g., Schönfeld et al. 1980), as well as on the results in Fig. 7, which show that the rate of charge recombination for the S and T populations (Fig. 7A) is the same as that for the T population alone (Fig. 7B).

THE DENSITY OF RCs IN THE INTERFACIAL LAYER

The RC density in the interfacial layer was determined from the charge recombination current. The number of RCs in the layer was obtained by dividing the net charge transferred in the layer (calculated from the time integral of the current) by the charge transferred in each RC (one elementary charge) and the effective orientation, Θ , (Eq. 9). Using Eq. 10, one obtains for the density:

$$\sigma = \frac{N_S + N_T}{A_L} = \frac{N_S - N_T}{\Theta A_L} \cong \frac{C_L}{C_T \Theta A_L |\alpha_{AP}|} \frac{1}{q_{AP}} \int_0^{t_{\max}} I_{AP}(t) dt \quad (14)$$

where A_L is the area of the interfacial layer.

Results and Discussion

BASIC PHOTORESPONSE

The voltage changes associated with charge separation and recombination were studied in RCs with and without the secondary quinone, Q_B (Fig. 4A and B). When the RCs were excited with actinic light, an increase in voltage associated with charge separation was observed. With continuous illumination, under saturating light conditions, the rise time was limited by the opening time of the shutter (1 msec) (Fig. 4A). Upon cessation of illumination, a voltage decay associated with charge recombination was observed. The decay time constant was 100 msec in the absence of exogenous quinone, consistent with the $P^+Q_A^- \rightarrow PQ_A$ charge recombination. In the presence of exogenous quinone (100 quinones per RC) the decay time constant was 1 sec, consistent with the $P^+Q_AQ_B^- \rightarrow PQ_AQ_B$ charge recombination. The amplitude of the light-induced signal increased with time for 1 hr after the level of the vesicle solution was raised to cover the Teflon film (a similar observation was reported by Drachev et al., 1976). The signal growth could be due to an increase in the density or effective orientation of the RCs in the interfacial layer. To obtain a stable signal and maximize the signal-to-noise ratio all measurements were performed at least one hour after the formation of the interfacial layer.

THE ELECTRICAL TIME CONSTANTS

Illumination of the interfacial layer produced a voltage (Fig. 4) associated with charge separation. Under continuous illumination, the RCs remained in the charge separated $P^+Q_A^-$ state but the measured voltage decayed biphasically, with time constants, τ_1 and τ_2 , due to the relaxation processes of the electrical circuit. The amplitude of the phase with the smaller time constant predomi-

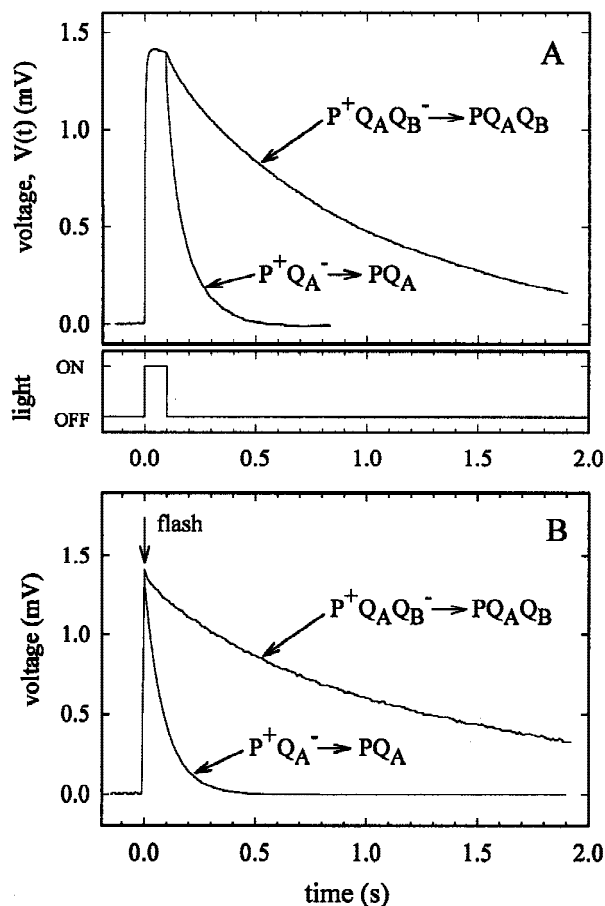


Fig. 4. Voltage changes, $V(t)$, in response to steady state (A) and pulsed (B) illumination of RC-lipid interfacial layers with and without the secondary quinone, Q_B . The initial light-induced voltage increase is due to the charge separation $PQ_A \rightarrow P^+Q_A^-$. In (A) the rate of increase is limited by the opening time of the shutter (~ 1 msec). The traces have been scaled so that the voltage increase is equal. The electron transfer $P^+Q_AQ_B^- \rightarrow P^+Q_AQ_B$ was not detected because the transfer occurs in a direction perpendicular to \hat{n} . The voltage decay following illumination has a time constant of ~ 100 msec in the interfacial layer containing RCs that lack Q_B and of ~ 1 sec in the layer containing RCs with Q_B (~ 100 UQ_{10} /RC added during vesicle preparation). Reaction conditions: 0.5 μ M RC, 0.2 M KCl, 10 mM $CaCl_2$, 2.5 mM sodium citrate, 2.5 mM PIPES, 2.5 mM HEPES, 2.5 mM CHES and 2.5 mM CAPS at pH 8.0; $T = 22^\circ C$.

nated, making the decay effectively monophasic (Appendix A).

The smaller time constant, as determined from the kinetics of the voltage decay under continuous illumination, is shown as a function of R_e in Fig. 5. For $R_e \ll 10^{11} \Omega$, the smaller time constant was τ_2 , which is proportional to R_e . In this region, the charging of the Teflon film capacitor was the dominant electrical relaxation process. The constant of proportionality between τ_2 and R_e is the Teflon-film capacitance which was determined from the slope to be 142 ± 16 pF. The value agrees with

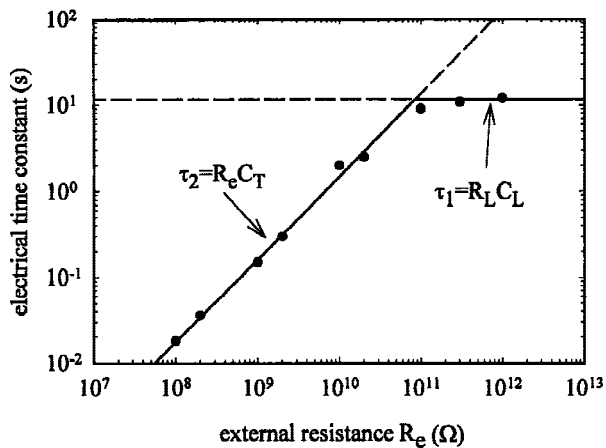


Fig. 5. The observed electrical time constant of the system as a function of the external resistance R_e (see Fig. 3). The time constant was determined from the voltage relaxation during continuous illumination of the interfacial layer (see Appendix A). For $R_e \ll 10^{11} \Omega$, the observed electrical time constant is τ_2 , which is proportional to R_e with a proportionality constant of $C_T = 142$ pF. For $R_e \gg 10^{11} \Omega$, the observed electrical time constant is τ_1 (11.3 sec), which is independent of R_e . Reaction conditions same as Fig. 4.

the 130 pF predicted from the sum of the calculated value of C_T (see above) and 40 pF of cable capacitance connected in parallel. As expected, a smaller slope was observed when C_T was decreased by using a thicker Teflon film.

For $R_e \gg 10^{11} \Omega$, the smaller electrical circuit time constant was,

$$\tau_1 = R_L C_L = 11.3 \pm 1.0 \text{ sec} \quad (15)$$

which is independent of R_e . In this region, the leakage of ions through the interfacial layer was the dominant electrical relaxation process. The interfacial layer resistance was predicted to be $R_L = 25 \pm 2$ M Ω from the quotient of τ_1 and the estimated (see Theoretical Models) value of $C_L \cong 0.45$ μ F. The corresponding interfacial layer resistance per unit area is 83 ± 7 M Ω cm $^{-2}$.

To prove that the time constant of the voltage decay at large R_e was a function of R_L we used ionophores, which lower the resistance of lipid layers by facilitating ion transport (Lauger, 1972). The ionophores valinomycin, gramicidin, tetraphenylborate, and tetraphenylarsonium all caused a reduction of τ_1 , which proves the dependence of this time constant on R_L . We modeled R_L as an inherent resistance (determined in the absence of ionophores) in parallel with an ionophore-induced leakage resistance. For instance, 1 μ M valinomycin produced a leakage resistance of 1.1 ± 0.1 M Ω . The leakage resistance decreased by an order of magnitude for every order of magnitude increase in the valinomycin concentration.

Most likely, around each RC, a lipid bilayer is main-

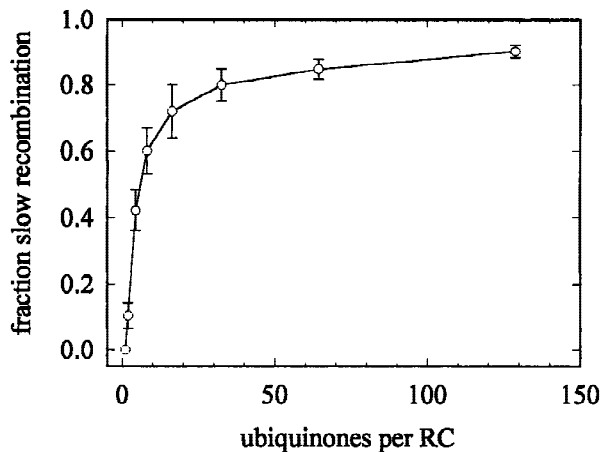


Fig. 6. Fraction of the total voltage decay (see Fig. 4) that proceeds with the slow (~ 1 sec) time constant associated with charge recombination from Q_B as a function of the ubiquinone-to-RC ratio. The quinone-to-RC ratio is defined as the number of quinones per RC added to one-quinone RCs during vesicle preparation. Reaction conditions same as in Fig. 4.

tained. Consequently, a small aqueous compartment is expected to be associated with each RC on the side facing the Teflon film. The effect of the ionophore would thus be to transport ions between this compartment and the aqueous phase.

THE FRACTION OF RCs CONTAINING A FUNCTIONAL SECONDARY QUINONE

The fraction of RCs containing a functional secondary quinone was determined from the kinetics of the voltage changes associated with the recombination reactions following illumination of the RCs (Okamura et al., 1982). The observed voltage change was decomposed into a fast (~ 100 msec) and slow (~ 1 sec) component. The fast component was ascribed to recombination in the fraction of RCs lacking Q_B and the slower component to recombination in the fraction of RCs with a bound Q_B . The fraction of RCs containing a functional Q_B was determined from the relative contribution of the slow component to the total voltage change⁴.

Figure 6 shows the fraction of slow recombination as a function of the amount of ubiquinone (per RC) added to one quinone RCs during vesicle preparation. To obtain an active Q_B in $\sim 90\%$ of RCs in the interfacial layer required a ubiquinone/RC ratio of ≥ 100 in contrast

⁴ The voltage changes associated with the charge recombination from $P^+Q_AQ_B^-$ and $P^+Q_A^-Q_B$ are equal. This was shown by observing the same voltage changes before and after addition of 200 μ M Terbutryn which inhibits electron transfer from Q_A^- to Q_B (Wraight, 1981).

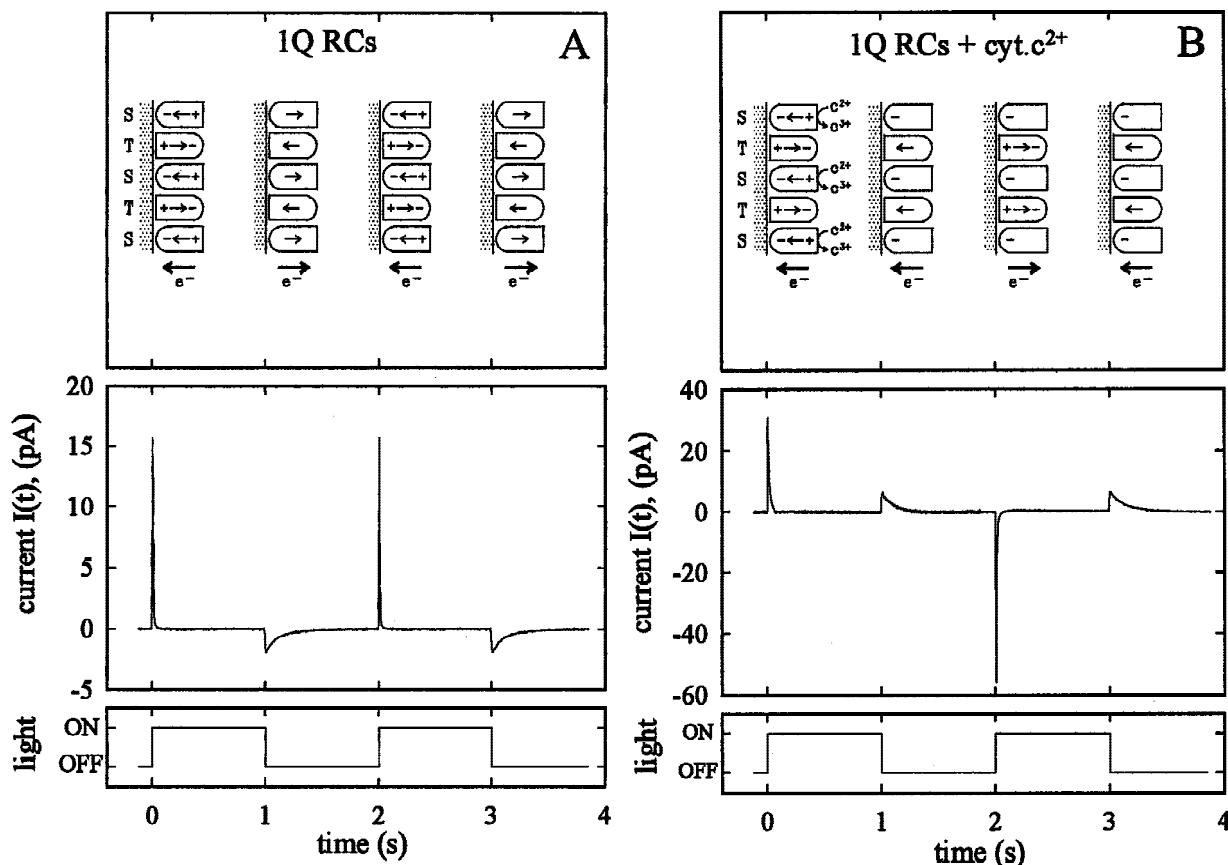


Fig. 7. The current, $I(t)$, in response to illumination of the RC-lipid interfacial layer. The upper drawings show the electronic state of both RC populations (denoted by S and T , respectively). The dotted region symbolizes the Teflon film. The arrows indicate the direction of the electron transfer in those RCs that are photochemically active and the bold arrows indicate the direction of the net electron transfer in the interfacial layer. The RCs in the layer contained <5% functional Q_B . Thus the state $P^+Q_A^-$ was formed upon illumination. The illumination sequence is shown at the bottom. The response time of the experimental setup was limited by the opening and closing times of the shutter (~1 msec). Reaction conditions were the same as in Fig. 4. (A) The current response for two illumination periods in the absence of cytochrome c^{2+} . The peak amplitude of the charge recombination current is smaller than that of the charge separation but the area under all the curves is the same because the total charge transferred in both reactions is the same. Traces are averages of 16 experiments. (B) Light-induced currents in the presence of 40 μM cytochrome c^{2+} . During the first illumination, RCs in the S population are inactivated when cytochrome c^{2+} reduces P^+ . During the second and subsequent illuminations only the T population RCs are photochemically active. The right trace (second illumination) is an average of 16 experiments (note the smaller noise level than on the left trace (first illumination)). Note that the current scale is different than in (A).

to a ratio of 2 in aqueous detergent solution (Okamura et al., 1982). This difference is not surprising in view of the hydrophobic nature of UQ_{10} which partitions preferentially in the lipid of the interfacial layer but prefers the RC in aqueous detergent solution.

THE EFFECTIVE ORIENTATION OF RCs IN THE LAYER

The effective orientation of RCs in the interfacial layer was determined by comparing the initial charge-recombination current generated by both RC populations to that generated by just the T population. The transient current generated by one quinone RCs in an interfacial layer following a series of light flashes in the absence of

cytochrome c^{2+} is shown in Fig. 7A. The current generated when the light is turned on is associated with charge separation and its time integral divided by C_T equals the voltage rise shown in Fig. 4 (Eq. 3). The current when the light is turned off is associated with the $P^+Q_A^- \rightarrow PQ_A$ charge recombination and its time integral divided by C_T equals the fast voltage decay shown in Fig. 4 (Eq. 3).

The light induced current generated by an interfacial layer containing one-quinone RCs in the presence of cytochrome c^{2+} is shown in Fig. 7B (note the different scale of the ordinate compared to Fig. 7A). Reduction of P^+ by cytochrome c^{2+} produced the inactive PQ_A^- state in the S population (see top frame of Fig. 7B). Consequently, only the T population recombined following illumination which generated a current of opposite sign to the recom-

bination current in the absence of cytochrome c^{2+} (Fig. 7A). Subsequent light pulses (one is shown in Fig. 7B) generated currents corresponding to charge separation and recombination in only the T population.

The effective orientation of the RCs was calculated using Eq. 13 and the measured peak currents associated with the charge recombination shown in Fig. 7. The value of Θ at pH 8.0 was determined to be:

$$\Theta = 0.14 \pm 0.03. \quad (16)$$

$\Theta > 0$ signifies there are more RCs in the S population than in the T population. The error in Θ is due to variations of the orientation in different interfacial layer preparations (8 interfacial layers were used.).

THE DENSITY OF RCs IN THE INTERFACIAL LAYER

The density of the RCs in the layer was determined using Eq. 14. The integral of the measured current associated with charge recombination $P^+Q_A^- \rightarrow PQ_A$ (see Fig. 7A), obtained from measurements on 8 interfacial layers, was:

$$\int_0^{t_{\max}} I_{AP}(t) dt = -0.22 \pm 0.06 \text{ pC} \quad (17)$$

The distance between Q_A and P (center to center of the rings) projected onto the two fold symmetry axis, which is parallel to the normal of the interfacial layer plane, was determined from the RC structure to be $\bar{d}_{AP} \cdot \hat{n} \cong 27 \text{ \AA}$ (Allen et al., 1987; Yeates et al., 1987). Assuming the dielectric constant between P and Q_A , ϵ_{AP} , to be equal to the average dielectric constant of the RC-lipid interfacial layer (ϵ_L), and the average thickness of the layer around the RCs D_L to be $\sim 40 \text{ \AA}$ (see above and legend to Fig. 3), we find $|\alpha_{AP}| \cong 0.68$ (Eq. 5). If we further assume that the entire area of the Teflon film is covered by the lipid interfacial layer, i.e., $A_L = A_T$, the value of σ obtained from Eq. 14 is:

$$\sigma = (1.5 \pm 0.4) \cdot 10^{11} \text{ RCs/cm}^2 \quad (18)$$

This value is approximately equal to the density of RCs found in chromatophores of *R. sphaeroides* (Packham et al., 1978). For an RC with an elliptical cross section with minor and major radii of 20 and 30 \AA (Yeates et al., 1987) this density corresponds to a $\sim 2\%$ coverage of the surface area of the interfacial layer.

Conclusions

We have characterized a simple and relatively robust system to measure electrogenic events in reaction centers incorporated into a phospholipid interfacial layer. The measured orientation of the RCs in the interfacial layer

was $\Theta = 0.14 \pm 0.03$ at pH 8.0, indicating that in $\sim 60\%$ of the RCs the surface nearest the donor was facing the aqueous solution. The density of RCs in the interfacial layer was estimated to be $\sigma = (1.5 \pm 0.4) \cdot 10^{11} \text{ RCs/cm}^2$. Nearly complete (90%) binding of the secondary quinone (Q_B) to the RC was achieved by adding 100 UQ_{10}/RC to the vesicle preparation.

An equivalent electrical circuit for the experimental system is presented and analyzed. The system can be used to investigate electrogenic processes that take place on a time scale shorter than ~ 10 sec, which is the time constant of the electrical circuit corresponding to the leakage of ions through the interfacial layer. We are using the system to delineate various electron transfer steps, to study proton uptake in native and mutant RCs, to investigate structural changes in the RC, and to elucidate the dielectric properties of the protein.

We thank G. Feher, M. Montal, and M.Y. Okamura for their guidance, E.C. Abresch for preparing the RCs, R.A. Isaacson and G. Kassabian for helping with construction of the amplifiers, and M. Huber, N.M. Kroll, M.L. Paddock, P.H. McPherson, and S. Ronjey for helpful discussions. Part of the work was done in the laboratory of G. Feher. The work was supported by a Swedish Natural Science Research Council fellowship to P.B., a National Institutes of Health Hemoglobin and Blood Protein Training Grant fellowship to A.M., and grants from the NSF and the National Institutes of Health to G. Feher.

References

- Allen, J.P., Feher, G., Yeates, T.O., Komiya, H., Rees, D.C. 1987. Structure of the reaction center from *Rhodobacter sphaeroides* R-26 I. The cofactors. *Proc. Natl. Acad. Sci. USA* **84**:5730–734
- Apell, H.-J., Snozzi, M., Bachofen, R. 1983. Kinetic analysis of bacterial reaction centers reconstituted in lipid bilayers. *Biochim. Biophys. Acta* **724**:258–277
- Brzezinski, P., Okamura, M.Y., Feher, G. 1992. Structural changes following the formation of $D^+Q_A^-$ in bacterial reaction centers. In: The Photosynthesis Bacterial Reaction Center II: Structure, Spectroscopy and Dynamics. J. Breton and A. Vermeglio, editors. pp. 321–330. Plenum Press, NY
- Brzezinski, P., Paddock, M.L., Okamura, M.Y., Feher, G. 1991. Electrogenicity associated with proton uptake by Q_B^{2-} in bacterial RCs. *Biophys. J.* **59**:143a (Abst.)
- Brzezinski, P., Paddock, M.L., Okamura, M.Y., Feher, G. 1997. Light-induced electrogenic events associated with proton uptake upon forming Q_B^- in bacterial wild-type and mutant reaction centers. *Biochim. Biophys. Acta* **1321**:149–156
- Crofts, A.R., Wraight, C.A. 1983. The electrochemical domain of photosynthesis. *Biochim. Biophys. Acta* **726**:149–185
- Diner, B.A., Schenck, C.C., DeVitry, C. 1984. Effect of inhibitors, redox state, isoprenoid chain-length on the affinity of ubiquinone for the secondary acceptor binding-site in the reaction centers of photosynthetic bacteria. *Biochim. Biophys. Acta* **766**:9–20
- Drachev, L.A., Frolov, V.N., Kaulen, A.D., Liberman, E.A., Ostroumov, S.A., Plakunova, V.G., Semenov, A.Y., Skulachev, V.P. 1976. Reconstitution of biological molecular generators of electric current. *J. Biol. Chem.* **251**:7059–7065
- Dracheva, S.M., Drachev, I.A., Konstantinov, A.A., Semenov, A.Y., Schulachev, V.P., Arutjunjan, A.M., Shuvalov, V.A., Zaberezh-

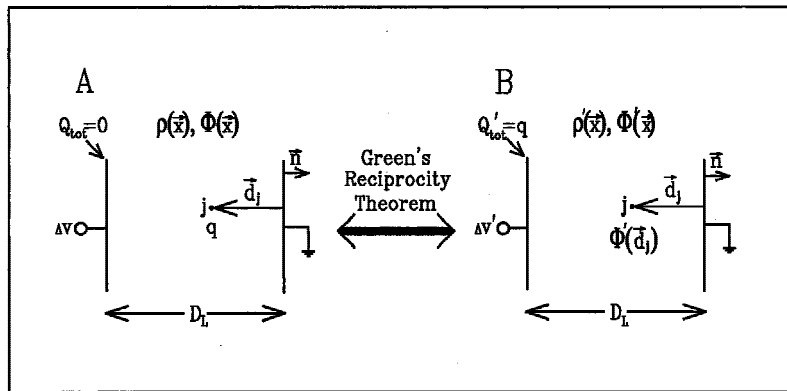
- maya, S.M. 1988. Electrogenic steps in the redox reactions catalyzed by photosynthetic reaction-center complex from *Rhodospseudomonas viridis*. *Eur. J. Biochem.* **171**:253–264
- Fahr, A., Lauger, P., Bamberg, E. 1981. Photocurrent kinetics of purple-membrane sheets bound to planar bilayer membranes. *J. Membrane Biol.* **60**:51–62
- Feher, G., Allen, J.P., Okamura, M.Y., Rees, D.C. 1989. Primary processes in bacterial photosynthesis: Structure and function of reaction centers. *Nature* **339**:111–116
- Feher, G., Arno, T.R., Okamura, M.Y. 1988. The effect of an electric field on the charge recombination rate of $D^+Q_A^- \rightarrow DQ_A$ in reaction centers from *Rhodobacter sphaeroides* R-26. In: *The Photosynthetic Bacterial Reaction Center*. J. Breton and A. Vermeglio, editors. pp. 271–287. Plenum Press, NY
- Feher, G., Okamura, M.Y. 1978. Chemical composition, properties of reaction centers. In: *The Photosynthetic Bacteria*, R.K. Clayton and W.R. Sistrom, editors. pp. 349–386. Plenum Press, NY
- Gopher, A., Blatt, Y., Schonfeld, M., Okamura, M.Y., Feher, G., Montal, M. 1985. The effects of an applied electric field on the rate of charge recombination in reaction centers incorporated in planar lipid bilayers. *Biophys. J.* **48**:311–320
- Hong, F.T. 1980. Displacement photocurrent in pigment-containing biomembranes artificial and natural systems. In: *Bioelectrochemistry: Ions, Surfaces, and Membranes*. M. Blank, editor. pp. 211–238. Am. Chem. Soc., Advances in Chemistry Series 188, Washington, D.C.
- Hong, F.T., Montal, M. 1979. Bacteriorhodopsin in model membranes: A new component of the displacement photocurrent in the microsecond time scale. *Biophys. J.* **25**:465–472
- Jackson, J.B., Dutton, P.L. 1973. The kinetic and redox potentiometric resolution of the carotenoid shift in *Rhodospseudomonas chromatophores*: Their relationship to electric field alternations in electron transport and energy coupling. *Biochim. Biophys. Acta* **325**:102–113
- Hook, F., Brzezinski, P. 1994. Flash-Induced Electrogenic Events Associated with Electron and Proton Transfer in Photosystem II Reaction Centres Incorporated in Phospholipid Interfacial Layers. *Biophys. J.* **66**:2066–2072
- Kagawa, Y., Racker, E. 1971. Partial resolution of the enzymes catalyzing oxidative phosphorylation. *J. Biol. Chem.* **246**:5477–5487
- Lauger, P. 1972. Carrier mediated ion transport. *Science* **178**:24–30
- Lauger, P. 1991. *Electrogenic Ion Pumps*. Sinauer Associates, Sunderland, MA
- Lauger, P., Benz, R., Stark, G., Bamberg, E., Jordan, P.C., Fahr, A., Brock, W. 1981. Relaxation studies of ion transport systems in lipid bilayer membranes. *Q. Rev. Biophys.* **14**:513–598
- McPherson, P.M., Okamura, M.Y., Feher, G. 1990. Electron transfer from the reaction center of *Rb. sphaeroides* to the quinone pool: Doubly reduced Q_B leaves the reaction center. *Biochim. Biophys. Acta* **1016**:289–292
- Nelson, N., Anholt, R., Lindstrom, J., Montal, M. 1980. Reconstitution of purified acetylcholine receptors with functional ion channels in planar lipid bilayers. *Proc. Natl. Acad. Sci. USA* **77**:3057–3061
- Okajima, T.L., Hong, F.T. 1986. Kinetic analysis of displacement photocurrents elicited in two types of bacteriorhodopsin model membranes. *Biophys. J.* **50**:901–912
- Okamura, M.Y., Debus, R.J., Kleinfeld, D., Feher, G. 1982. Quinone binding sites in reaction centers from photosynthetic bacteria. In: *Function of Quinones in Energy Conserving Systems*. B.L. Trumpower, editor. pp. 299–317. Academic Press
- Okamura, M.Y., Isaacson, R.A., Feher, G. 1975. The primary acceptor in bacterial photosynthesis: The obligatory role of ubiquinone in photoactive reaction centers of *Rhodospseudomonas sphaeroides*. *Proc. Natl. Acad. Sci. USA* **72**:3491–3495
- Packham, N.K., Berriman, J.A., Jackson, J.B. 1978. The charging capacitance of the chromatophore membrane. *FEBS Lett.* **89**:205–210
- Packham, N.K., Dutton, L.P., Mueller, P. 1982. Photoelectric currents across planar bilayer membranes containing bacterial reaction centers. Response under conditions of single electron turnover. *Biophys. J.* **37**:465–473
- Packham, N.K., Packham, C., Mueller, P., Tiede, D.M., Dutton, L.P. 1980. Reconstitution of photochemically active reaction centers in planar phospholipid membranes: Light induced currents under voltage clamped conditions. *FEBS Lett.* **110**:101–106
- Rayfield, G.W. 1982. Kinetics of the light-driven proton movement in model membranes containing bacteriorhodopsin. *Biophys. J.* **38**:79–84
- Rosen, P., Pecht, I. 1976. Conformational equilibria accompanying the electron transfer between cytochrome *c* (P551) and azurin from *Pseudomonas aeruginosa*. *Biochem.* **15**:775–786
- Schonfeld, M., Montal, M., Feher, G. 1979. Functional reconstitution of photosynthetic reaction centers in planar lipid bilayers. *Proc. Natl. Acad. Sci. USA* **76**:6351–6355
- Schonfeld, M., Montal, M., Feher, G. 1980. Reaction center-phospholipid complex in organic solvents: formation and properties. *Biochemistry* **19**:1535–42
- Tiede, D.M., Mueller, P., Dutton, L.P. 1982. Spectrophotometric and voltage clamp characterization of monolayers of bacterial photosynthetic reaction centers. *Biochim. Biophys. Acta* **681**:191–201
- Trissl, H.-W. 1981. The concept of chemical capacitance: A critique. *Biophys. J.* **33**:233–242
- Trissl, H.-W. 1983. Spatial correlation between primary redox components in reaction centers of *Rhodospseudomonas sphaeroides* measured by two electrical methods in the nanosecond range. *Proc. Natl. Acad. Sci. USA* **80**:7173–7177
- Trissl, H.-W., Darszon, A., Montal, M. 1977. Rhodopsin in model membranes: Charge displacements in interfacial layers. *Proc. Natl. Acad. Sci. USA* **74**:201–210
- Trissl, H.-W., Montal, M. 1977. Electrical demonstration of rapid light-induced conformational changes in bacteriorhodopsin. *Nature* **266**:655–657
- Westman, H.P., 1956. editor. *Reference Data for Radio Engineers*, 4th edition. Stratford Press, NY
- Witt, H.T. 1971. Coupling of quanta, electrons, fields, ions, and phosphorylation in the functional membrane of photosynthesis. *Q. Rev. Biophys.* **4**:365–477
- Wraight, C.A. 1981. Oxidation-reduction physical chemistry of the acceptor quinone complex in bacterial photosynthetic reaction centers: evidence for a new model of herbicide activity. *Israel J. Chem.* **21**:348–354
- Yeates, T.O., Komiya, H., Rees, D.C., Allen, J.J., Feher, G. 1987. Structure of the reaction center from *Rhodobacter sphaeroides* R-26 III. Membrane-protein interactions. *Proc. Natl. Acad. Sci. USA* **84**:6438–6442

Appendix A

ANALYSIS OF THE EQUIVALENT CIRCUIT

The equivalent electrical circuit (Fig. 3b) was analyzed to determine the electrical time constants and the relations between the RC-generated current, $i(t)$, and the measured current $I(t)$ and voltage $V(t)$. From Kirchoff's law:

$$i(t) = i_1(t) + i_2(t) + I(t) \quad (A1)$$



charge distribution $\rho(\vec{x})$ in part A is related via Green's Reciprocity Theorem to the simple charge distribution $\rho'(\vec{x})$, consisting of charge q on the ungrounded plate ($Q'_{tot} = q$) and the induced charge ($-q$) on the grounded plate. $\rho'(\vec{x})$ produces a potential $\Phi'(\vec{x})$ at the point j .

Expressing $v(t)$ in terms of the currents through each leg of the circuit gives,

$$v(t) = i_1(t)R_L = \frac{1}{C_L} \int_0^t i_2(t') dt' = \frac{1}{C_T} \int_0^t I(t') dt' + I(t)R_e \quad (\text{A2})$$

where we have assumed that the monolayer and Teflon sheet capacitors are initially uncharged.

The solution of Eq. A1 and A2 for the case of an exponentially decaying RC-generated current, $i(t) = i_0 e^{-t/\tau_0}$, where τ_0 is the time constant of the associated electrogenic process, and the limit of $C_L \gg C_T$ relevant to the present geometry, is:

$$I(t) = -i_0 \tau_0 R_L C_T \left[\frac{e^{-t/\tau_0}}{(\tau_0 - \tau_1)(\tau_0 - \tau_2)} + \frac{e^{-t/\tau_1}}{(\tau_1 - \tau_0)(\tau_1 - \tau_2)} + \frac{e^{-t/\tau_2}}{(\tau_2 - \tau_0)(\tau_2 - \tau_1)} \right] \quad (\text{A3})$$

where $\tau_1 = R_L C_L$ and $\tau_2 = R_e C_T$. Equation A3 states that the measured voltage ($V(t) = I(t)R_e$) is in general triphasic, with the time constant of the electrogenic reaction, τ_0 , and the two electrical time constants, τ_1 and τ_2 , all contributing to the measured signal.

For t and $\tau_0 \ll \tau_1$ and τ_2 , the measured voltage is

$$V(t) \equiv \frac{i_0 \tau_0}{C_L} (1 - e^{-t/\tau_0}). \quad (\text{A4})$$

$V(t)$ increases with the kinetics of the charge transfer in the reaction center to a voltage equal to the total charge transferred ($\int_0^\infty i(t) dt = i_0 \tau_0$) divided by the capacitance of the layer. Substitution of $i(t) = i_0 e^{-t/\tau_0}$ into Eq. 3 yields Eq. A4.

On the longer time scale, Eq. A3 shows that the voltage increase ($V(t) = I(t)R_e$) will be followed by a decay with the electrical time constants τ_1 and τ_2 . When one of these time constants is much smaller than the other, then, for times short compared to the longer time constant, the measured voltage decays essentially monophasically with the smaller time constant. These predictions are in agreement with measurements made during continuous illumination of the monolayer where the voltage was observed to rise with the kinetics of the opening time of the shutter (~ 1 msec) and to decay monophasically with the smaller of the two electrical times, τ_1 or τ_2 (Fig. 5).

Fig. B1. Model to calculate the voltage generated across a lipid interfacial layer by a charge transfer within the interfacial layer (Appendix B). The interfacial layer is represented as a parallel-plate capacitor with one grounded and one ungrounded plate. D_L is the interfacial layer thickness and \hat{n} is a unit vector normal to the interfacial layer. The point j is within the interfacial layer. \vec{d}_j is a vector from the grounded conductor to j . (A) The charge distribution $\rho(\vec{x})$ consists of a charge q in the RC at the point j and the charge induced on the interfacial layer surface. The ungrounded side of the interfacial layer is assumed to be neutral ($Q_{tot} = 0$). $\rho(\vec{x})$ produces a potential $\Phi(\vec{x})$. On the ungrounded plate, $\Phi(\vec{x})$ is equal to the interfacial layer voltage, Δv . (B) The complicated

For current measurements, $R_e = 0$ and Eq. A3 simplifies to give the measured current,

$$I(t) = \frac{-i_0 \tau_0 R_L C_T}{\tau_0 - \tau_1} \left(\frac{e^{-t/\tau_0}}{\tau_0} - \frac{e^{-t/\tau_1}}{\tau_1} \right) \quad (\text{A5})$$

which reflects the kinetics of both the charge transfer, τ_0 , and the electrical time constant, τ_1 . For t and $\tau_0 \ll \tau_1$, Eq. A5 simplifies to Eq. 4 with $i(t) = i_0 e^{-t/\tau_0}$.

Appendix B

VOLTAGE GENERATED BY A CHARGE TRANSFER WITHIN THE MONOLAYER

To derive the voltage generated across the interfacial layer by N dipoles in its interior (Eq. 7) we first consider the effect of a single charge in the interfacial layer. The interfacial layer was modeled as a parallel plate capacitor with one plate grounded (Fig. B1) and one plate ungrounded and neutral.

For any two charge distributions, $\rho(\vec{x})$ and $\rho'(\vec{x})$, Green's Reciprocity Theorem states,

$$\int \rho(\vec{x}) \Phi'(\vec{x}) d^3 \vec{x} = \int \rho'(\vec{x}) \Phi(\vec{x}) d^3 \vec{x} \quad (\text{B1})$$

where the integrals are over all space. The first charge distribution $\rho(\vec{x})$ consists of a charge q at a point j between the capacitor plates and the induced charge distribution on the capacitor plates (Fig. B1A). The charge distribution $\rho(\vec{x})$ produces a potential $\Phi(\vec{x})$. The second charge distribution $\rho'(\vec{x})$, consists of charge q on the ungrounded capacitor plate and the charge $-q$ induced on the ungrounded plate. $\rho'(\vec{x})$ produces the potential $\Phi'(\vec{x})$ (Fig. B1B).

The integrals in Eq. B1 were broken into integrals over the ungrounded plate, the region between the plates, and the grounded plate. The integral over the grounded plates vanishes because the potential there is zero. The potentials on the ungrounded plates, Δv and $\Delta v'$, are constant and factor out of the integrals over these plates. The remaining integrals of the charge distribution over the ungrounded plates yield

the total charge on these plates, Q_{tot} and Q'_{tot} , respectively. Thus Eq. B1 reduces to,

$$Q_{tot}\Delta v' + q\Phi'(\vec{d}_j) = Q'_{tot}\Delta v \quad (\text{B2})$$

where \vec{d}_j is a vector from the grounded plate to point j . Substitution of $Q_{tot} = 0$ for the total charge on the neutral plate and $Q'_{tot} = q$ yields,

$$\Delta v = \Phi'(\vec{d}_j) \quad (\text{B3})$$

which states that the voltage across a capacitor due to a charge q located at point j between the capacitor plates is equal to the potential at j when the charge is on the ungrounded plate.

For a parallel plate capacitor, $\Phi'(\vec{d}_j)$ is given by the negative line integral of the electric field from the grounded plate to the point j ,

$$\Phi'(\vec{d}_j) = -\int_0^j \vec{E} \cdot d\vec{l} = -\frac{q}{\epsilon_j A_L} \vec{d}_j \cdot \hat{n} \quad (\text{B4})$$

where (\vec{E}) is the electric field as determined from Gauss' Law, ϵ_j is the dielectric constant at j , A_L is the area of the interfacial layer, and \hat{n} is a unit vector normal to the interfacial layer.

The voltage across the interfacial layer is due to dipoles that consist of charge q_{jk} at point j and $-q_{jk}$ at point k . These dipoles effectively form a parallel plate capacitor, and the voltage across the interfacial layer due to N such dipoles is arrived at by superposition of the result in Eq. B4,

$$\Delta v_{jk}(t) = \frac{Nq_{jk}}{\epsilon_{jk}A_L} \vec{d}_{jk} \cdot \hat{n} = \frac{Nq_{jk}}{C_L} \left(\frac{\epsilon_L}{\epsilon_{jk}} \frac{\vec{d}_{jk} \cdot \hat{n}}{D_L} \right) \quad (\text{B5})$$

where $\vec{d}_{jk} = \vec{d}_j - \vec{d}_k$ is the distance vector that separates the dipole charges and ϵ_{jk} is the dielectric constant in a slab, containing all the dipoles, that is parallel to the plates of the interfacial layer. The first equality in Eq. B5 shows that the generated voltage does not depend on the thickness of the interfacial layer, the position of the dipoles, or the dielectric constant outside of the slab. The voltage is independent of these quantities because the entire voltage drop occurs across the slab containing the dipoles. The generated voltage is expressed, in the second equality of Eq. B5 (Eq. 7), in terms of the parallel plate capacitance of the interfacial layer, $C_L = \epsilon_L A_L / D_L$, where ϵ_L is the average dielectric constant of the interfacial layer and D_L is the thickness of the layer. The term in parenthesis is Luger's dielectric coefficient α_{jk} (Luger, 1991).